

# CCTV Camera

## EN-DVI20 Series

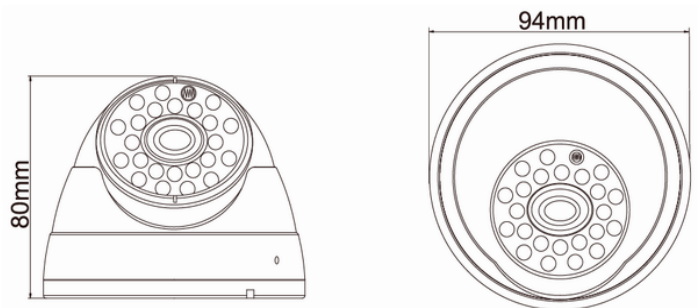


### Features

- ◆ Vandalproof IR Dome Camera
- ◆ SONY / SHARP Color CCD
- ◆ 24 pcs  $\varnothing$  5mm IR-LED, IR Range 20M
- ◆ Built-in 3.6 mm Board Lens



### Size Chart



### Specifications

Model Name	EN-DVI20-38	EN-DVI20-36	EN-DVI20-32	EN-DVI20-82
Image Device	1/3 SONY	1/3 SHARP	1/3 SONY	1/4 SHARP
Resolution	540 TVL	500 TVL	420 TVL	420 TVL
Picture Elements	PAL:795(H) $\times$ 596(V) NTSC:811(H) $\times$ 508(V)	PAL:752(H) $\times$ 582(V); NTSC:768(H) $\times$ 494(V)	PAL:500(H) $\times$ 582(V); NTSC:510(H) $\times$ 492(V)	
Min. Illumination	0.2 Lux /F2.0	0.8 Lux /F2.0	1.0 Lux /F2.0	
TV System	PAL/NTSC			
Lens Furnished	3.6 mm Board Lens (Optional 4mm or 6mm Board Lens)			
Infrared Luminary	24 pieces $\varnothing$ 5 mm IR-LED			
Illuminate Distance	20 M			
Wavelength	850 nm			
Waterproofing Criterion	IP 66			
S/N Ratio	More than 48dB			
Electronic Shutter	NTSC:1/60~1/100,000, PAL:1/50~1/110,000			
Gamma	0.45			
White Balance	Auto			
Gain Control	Auto			
Sync. System	Internal			
Video Output	1 Vp-p / 75 Ohms			
Power Supply	DC12V $\pm$ 10%			
Operation Temperature	-10 $^{\circ}$ C ~ +50 $^{\circ}$ C RH95% Max			
Dimension	$\varnothing$ 94 x 80 mm			
Weight	450g			